


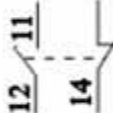

<http://www.meba-electric.com>




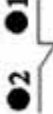
### Push Button Switch

Parameters of CXB2 Push Button Switch:

The Module of KXB-2B Model metal push button series Model instruction				
Bottom with single contacts/contact module (screw model terminal)				
Description	Contact type	Scheme	Reference	Weight
Suit for two ways select switch and switch with key	N/O		CXB2-BZ101C	0.040
	N/C		CXB2-BZ102C	0.040
Bottom with two contacts/contact module (screws model terminal)				
Suit for two ways or three ways select switch and switch with key	N/O+N/O		CXB2-BZ103C	0.055
	N/C+N/C		CXB2-BZ104C	0.055

	N/C+N/O		CXB2-BZ105C	0.055
	N/C+N/O		CXB2-BZ106C	0.055
	N/O+N/O		CXB2-BZ107C	0.055

Auxiliary/replace contacts (screw model terminal)

Description	Matching model	Contact type	Scheme	Reference	Weight
Matching with Can match with bottom/ contacts all push button, can be installed except the points, or change "stop" push the first or second button KXB2-BS-xontqct points 8..C		N/O		CXB2-BZ103C	0.015
		N/C		CXB2-BE102C	0.015
Other type	Bottom/ contact points and auxiliary contact points with 6.				
	3mm. Fasten terminal suit for Low power contact point				