


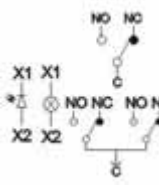
Push Button Switch



SDL16-22FD

SDL16-22FD Push Button Switch

Specifications of SDL16-22FD Push Button Switch:

Push button SDL16-22FD	Description	Contact	Circuit	Color Sign	Type	Contour
	Installed light square double knife LED 24V/AC/DC Neon 220V/AC	1NO+1NC		Red Green/PG Yellow White/PW Pure Blue	SDL16-11 FD ,	
					SDL16-11 FD L, SDL16-22 FD , SDL16-22 FD L	